

FIGURE 1

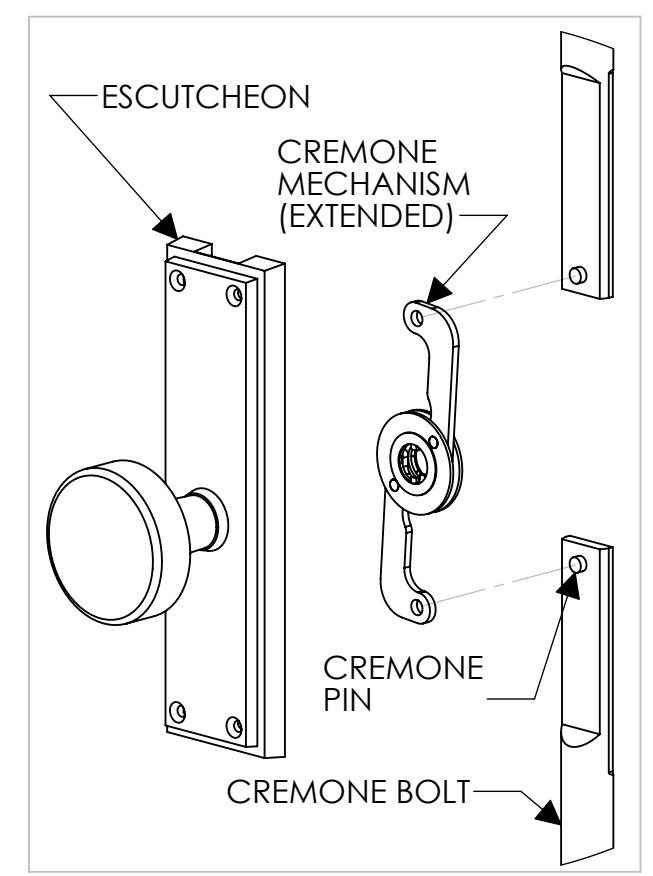


FIGURE 2

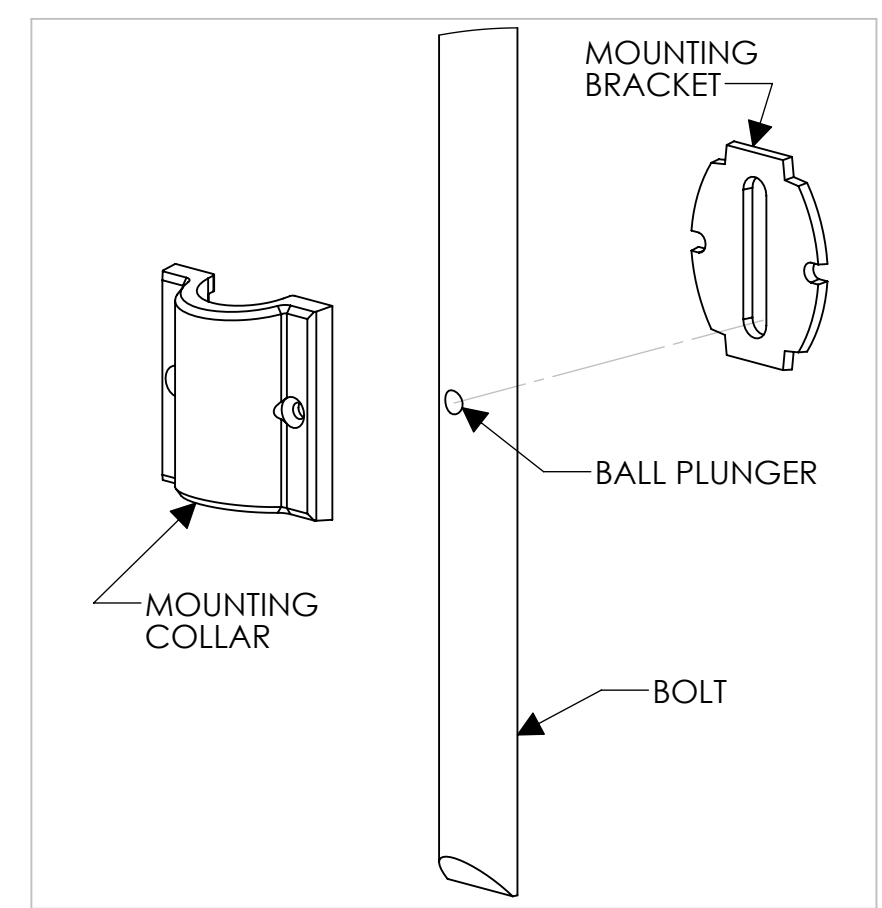


FIGURE 3

INSTRUCTIONS:

- STEP 1: ATTACH BOLT 2 & BOLT 3 WITH MACHINE SCREWS PROVIDED. (SEE FIGURE 1)
- STEP 2: TURN KNOB UNTIL CREMONE MECHANISM IS IN THE EXTENDED POSITION. (SEE FIGURE 2)
- STEP 3: ATTACHE BOLT 1 & BOLT 2/BOLT 3 TO CREMONE MECHANISM WITH PINS PROVIDED ON BOLTS. (SEE FIGURE 2)
- STEP 4: PLACE CREMONE ASSEMBLY (ESCUTCHEON, MECHANISM, BOLT 1, BOLT 2 AND BOLT 3) ON DOOR. THE MECHANISM SHOULD STILL BE IN THE EXTENDED POSITION.
- STEP 5: WHILE HOLDING THE CREMONE BOLT TO DOOR PLACE BOTTOM MOUNTING BRACKETS (BRACKETS 1 & 2) ON THE CREMONE BOLT. PLACE THE MOUNTING BRACKET SO THE BALL PLUNGER LOCATED ON THE BOLT FALLS IN THE **BOTTOM HOLE OF THE SLOT**. THIS IS TRUE FOR MOUNTING BRACKETS 1 & 2. (SEE FIGURE 3)
- STEP 6: WHILE HOLDING THE CREMONE BOLT TO DOOR PLACE THE TOP MOUNTING BRACKETS (BRACKETS 3 & 5) ON THE CREMONE BOLT. PLACE THE MOUNTING BRACKET SO THE BALL PLUNGER LOCATED ON THE BOLT FALLS IN THE **TOP HOLE OF THE SLOT**. THIS IS TRUE FOR MOUNTING BRACKETS 3 & 5. (SEE FIGURE 3)
- STEP 7: ONCE YOU HAVE THE MOUNTING BRACKET IN THE CORRECT LOCATION PLACE THE MOUNTING COLLAR OVER THE BRACKET AND SCREW IN PLACE WITH THE WOOD SCREWS PROVIDED.
- STEP 8: MOUNTING BRACKET AND COLLAR 4 SHOULD BE CENTERED BETWEEN MOUNTING BRACKETS 3 & 5 ALREADY PLACED. WHEN MOUNTED MAKE SURE THE SEAM FROM BOLT 2 AND BOLT 3 IS HIDDEN WHEN CREMONE IS IN THE EXTENDED AND RETRACTED POSITION.

				DRW. NAME CREMONE BOLT INSTALLATION INSTRUCTIONS		
				MADE FROM CRB3664	DATE 10/12/06	UNSPECIFIED TOL. ± .015 FRAC. ± 1/32 ANGLES ± .5
				MATERIAL		
				Rocky Mountain H A R D W A R E		
				HAILEY, IDAHO		
LETTER	CHANGE	BY	DATE			